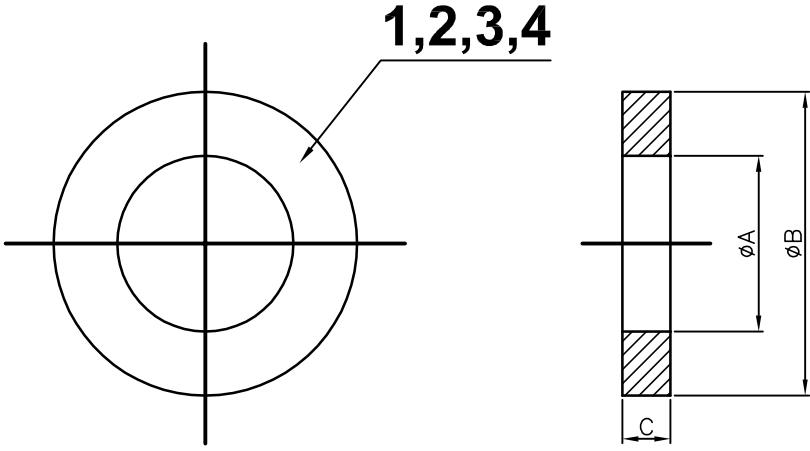


THIS DOCUMENT IS THE EXCLUSIVE PROPERTY OF BEML & CONTAINS CONFIDENTIAL INFORMATION. THIS DOCUMENT OR ITS CONTENTS SHALL NOT BE USED, REPRODUCED OR DISCLOSED IN WHOLE OR IN PART, WITHOUT PRIOR WRITTEN PERMISSION OF BEML. THIS DOCUMENT & ALL ITS COPIES SHALL BE RETURNED TO BEML ON DEMAND DRAWING RELEASED FROM PLM, PHYSICAL SIGNATURE NOT REQUIRED

MACHINING DEVIATIONS FOR LINEAR DIMENSIONS	RANGE	0 - 6	6 - 30	30 - 120	120 - 315	315-1000	1000-2000	2000-4000	ABOVE 4000	RA
	TOLERANCE	±0.1	±0.2	±0.3	±0.5	±0.8	±1.2	±2	±3	~
FOR DIMENSIONAL TOLERANCES OF SHEET METAL PARTS AND WELDED STRUCTURES, REFER STD. RD-227										
UNSPECIFIED TOLERANCE FOR LINEAR AND ANGULAR DIMENSIONS REF. IS 2102 (PT-1) (MEDIUM)							QUALITY OF WELD JOINTS REF, RD 230 MEDIUM			
VALUES OF SURFACE TEXTURE SHALL BE AS PER COMPANY STD DS. 1012.C.										
WELDING SHALL BE CARRIED OUT AS PER IS: 9595-96							STATUS:		PROTO	



4	21	39	3
3	3	10	3
2	8	15	3
1	11	19	3
ITEM	ØA	ØB	C

NEXT ASSY.
946-60101
946-60201
946-84101

N1	0.025
N2	0.05
N3	0.1
N4	0.2
N5	0.4
N6	0.8
N7	1.6
N8	3.2
N9	6.3
N10	12.5
N11	25
N12	50
GRADE No.	
VALUE	
SYMBOL	
SURFACE ROUGHNESS	

4	15	946-60172-04	WASHER	1-1/4"	TEFLON (COMMERICAL)
3	16	946-60172-03	WASHER	1/4"	TEFLON (COMMERICAL)
2	26	946-60172-02	WASHER	3/8"	TEFLON (COMMERICAL)
1	44	946-60172-01	WASHER	1/2"	TEFLON (COMMERICAL)
SL.No.	QTY	PART / STOCK No.	DESCRIPTION	SIZE	COMPANY STD./I.S Wt. (Kg) MATERIAL

PRODUCT	8W CMV (SG) WITH LIFTING PLATFORM & CRANE		
REF DRG			
MATERIAL	--		
HEAT TREAT.	APPD	M. SUDHARSAN	10/06/2020
SURFACE TREAT.	REVD	HARI KUMAR S	10/06/2020
TITLE	CHKD		
TEFLON-WASHER	DRWN	HARI KUMAR S	10/06/2020
	SCALE		SHEET Wt.(Kg)
	NTS	1 OF 1	0
	DRG No.	ALT	