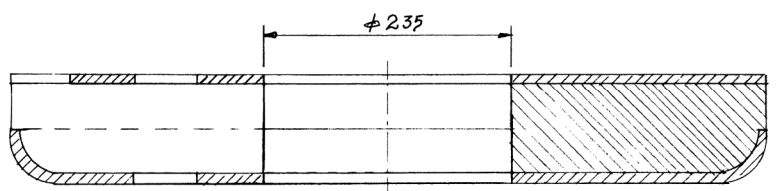
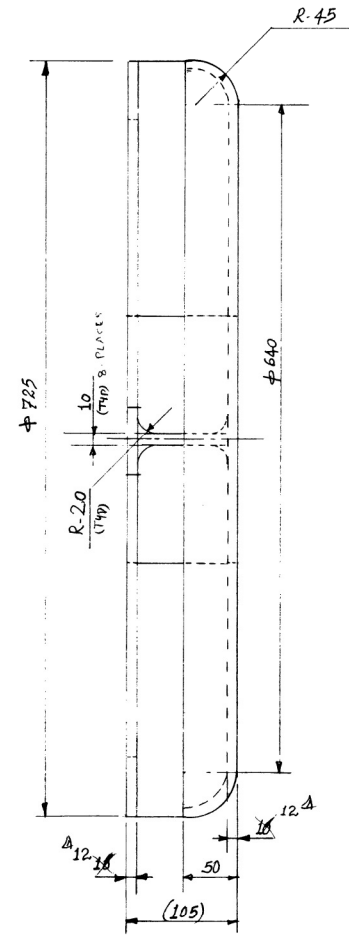
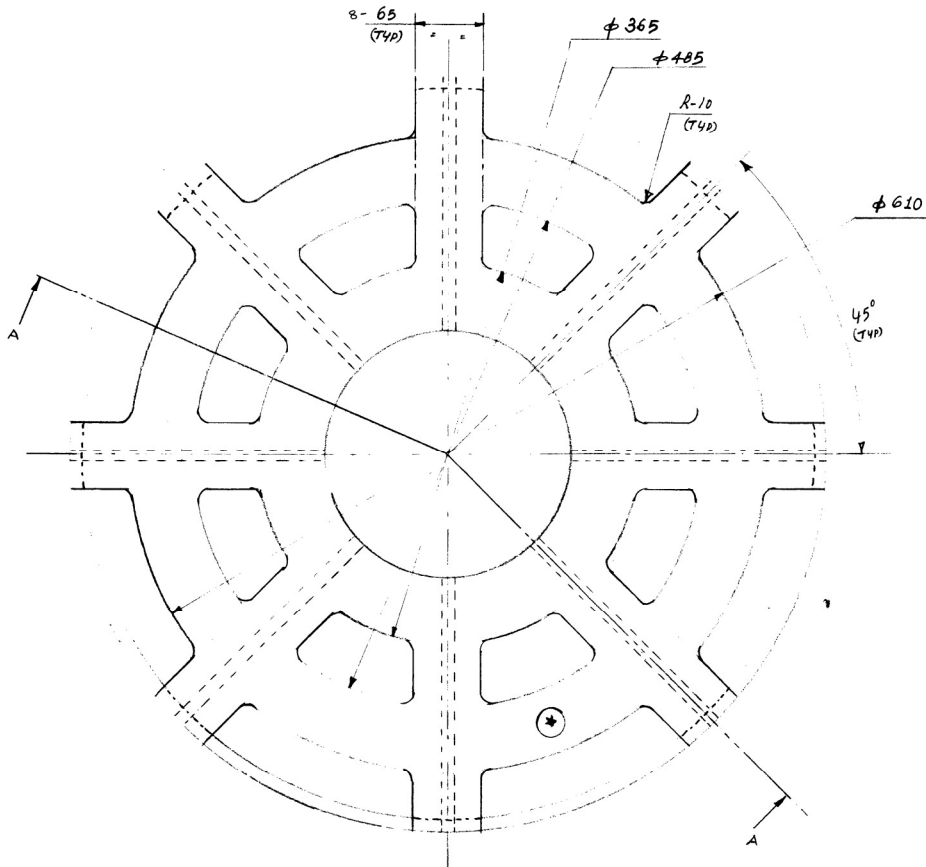


MACHINING DEVIATIONS FOR LINEAR DIMENSIONS								THE REST
ABOVE UP TO AND INCLUDING	6	30	120	315	1000	2000	4000	
VALUE	±0.1	±0.2	±0.3	±0.4	±0.6	±1.2	±3	
ISSUE NO	MODIFICATION			DRAWN BY	CHECKED BY	APPROVED BY		
1	DIM 12 WAS 16			Q2708	Q2708	Q2708		



SECTION: AA'

- NOTE:-
1. ENGRAVE TOOL NO. WHERE MARK SHOWN THUS: *
 2. AVOID SHARP EDGES.
 3. ALL OTHER DETAILS ARE AS PER MANUFACTURER'S STD.

1	1	1	GRID	AISI 310	REF DRG.
ITEM NO.	SHT. NO.	QTY.	DESCRIPTION	MATERIAL	SIZE
			PRODUCT	M/C. NO.	DEPT. NO.
			COMPONENT NO.	OPN. NO.	
AMEND. NO.	SIGNATURE	DATE	TITLE GRID FOR VERTICAL REMOVABLE SEALED RETORT FURNACE		
CHECKED	Q2708	4/10/23	BHMAT EARTH MOVERS LTD. MYSORE		
DRAWN	Q2708	4/10/23	DRG. NO. ETS-SP-2151		
					NO. OF SHEETS 1