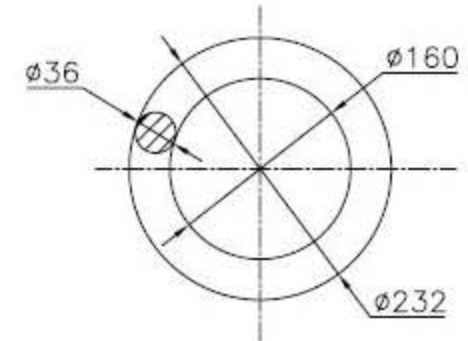
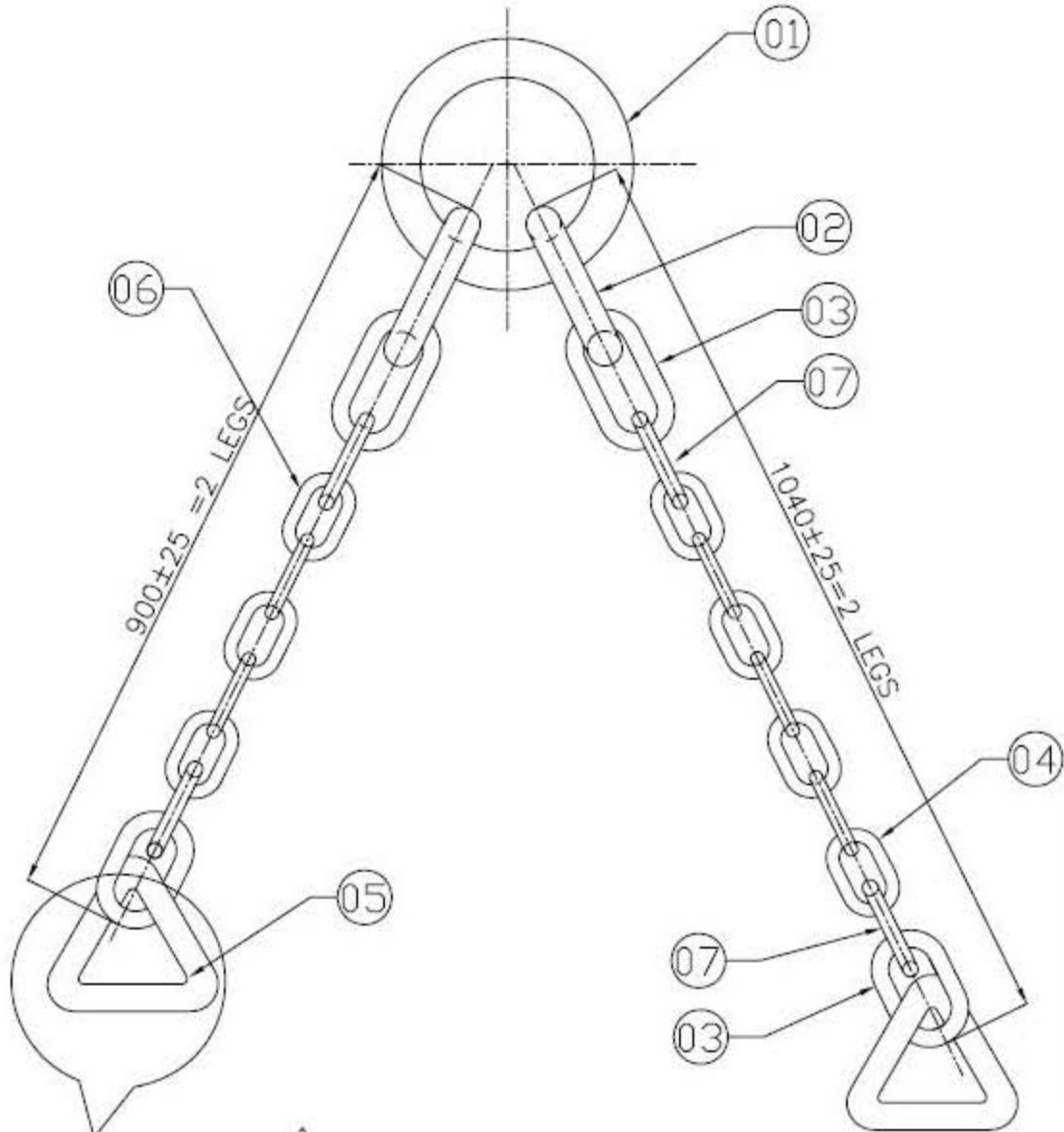
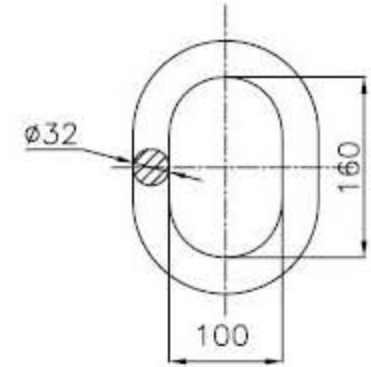


MACHINING DEVIATIONS FOR UNTOLERANCED DIMENSIONS SHALL BE AS PER COMPANY STD. DS1028-C
 VALUES OF SURFACE TEXTURE SHALL BE AS PER COMPANY STD DS. 1012.C
 FOR DIMENSIONAL TOLERANCES OF SHEET METAL PARTS AND WELDED STRUCTURES, REFER STD. RD No. 227

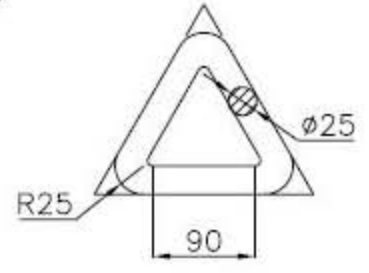
PROTO/PILOT/PRODUCTION
 ECH No. 458 000 0007 Date: 22/2/07



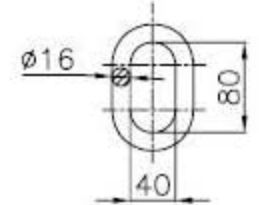
SUSPENSION 'O' RING
 DETAIL - 01



INTERMEDIATE LINK
 DETAIL - 02



DETAIL-P
 DETAIL - 05



JOINING LINK-I
 DETAIL - 03

SL No	QTY	DRG. / STOCK No.	DESCRIPTION	SIZE	COMPANY STD./IS STD	Wt.Kg
07	8	W/D	JOINING LINK-II	NOM. SIZE DIA 14mm 50 PITCHx25 WIDTH		
06	2	W/D	CHAIN (SHORT)	NOM. DIA 12mm 900mm LENGTH.	IS:2760-1980	
05	4	W/D	TRIANGULAR LINK			
04	2	W/D	CHAIN (LONG)	NOM. DIA 12mm 1040mm LENGTH	IS:2760-1980	
03	8	W/D	JOINING LINK-I		IS:2760-1980	
02	4	W/D	INTERMEDIATE LINK		IS:2760-1980	
01	1	W/D	SUSPENSION 'O' RING		IS:2760-1980	

DETAIL PARTS				MATERIAL		
PRODUCT BEML-TATRA T815 27ER96 28 300 8x8.1R/50T (PROJECT - PINAKA - LCR)						
SURFACE TREATMENT						
1	458 MD 01013	LCR		SCALE		Wt (Kg)
QTY	NEXT ASSY	MODEL	REF DRG	APPROVED	-Sd.-	
TITLE				CHECKED	-Sd.-	
FOUR SLING LASHING CHAIN				DRAWN	-Sd.-	
REVISED & REDRAWN				DRG No.		ALT
22/2/07 Jagdish				458 BD 03287		
ALT CHANGES				DATE	BY	CHKD/APP

BEML LIMITED
 R&D, BANGALORE COMPLEX
 BANGALORE 560 075