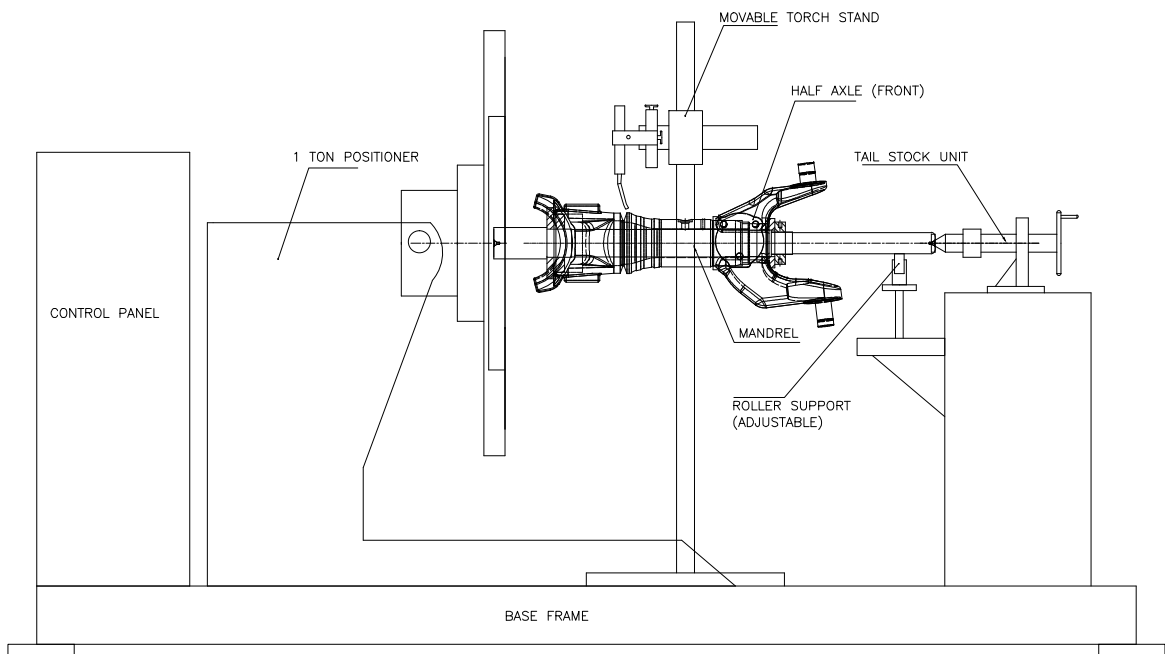


CONCEPTUAL LAYOUT - HALF AXLE REAR(LH&RH)



CONCEPTUAL LAYOUT - HALF AXLE FRONT(LH&RH)