

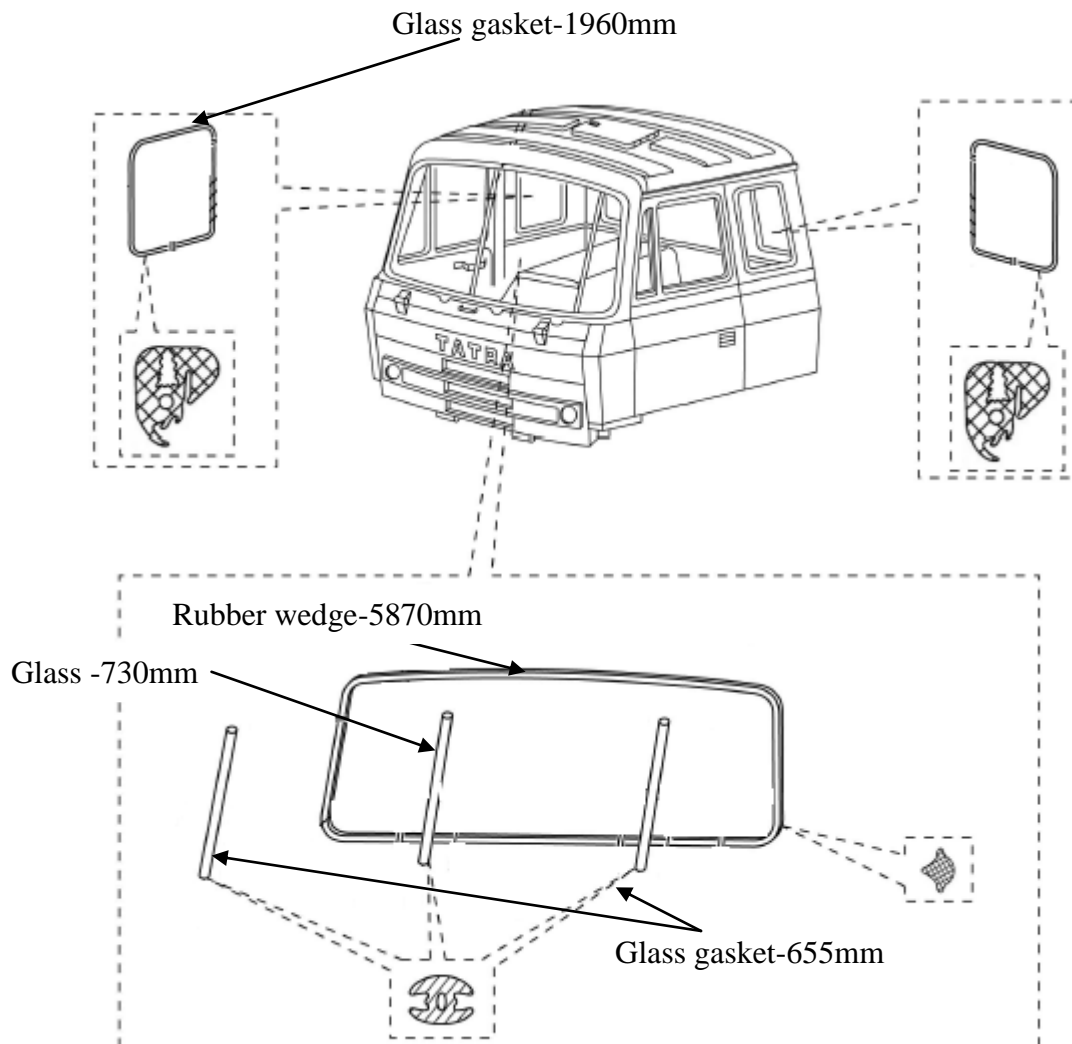
## 'Expression of Interest' for Development of Cabin Rubber items for BEML Heavy Duty Truck (HDT)

### **1. Objective:**

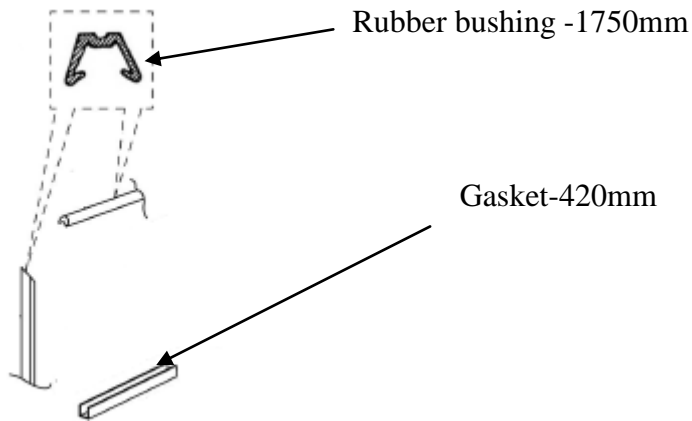
BEML Limited is a Defence PSU under the Ministry of Defence (MoD), Govt. of India. BEML HDT vehicles are mainly used for General Service and special projects carrying super structures as per MOD requirement. As part of indigenous program, the development and production of Cabin is taken up. In this regard, BEML intends to identify reputed developer for supply of the subject cabin. Annual requirement of Cabin rubber items is 250 to 300 sets.

### **Cabin Rubber items:**

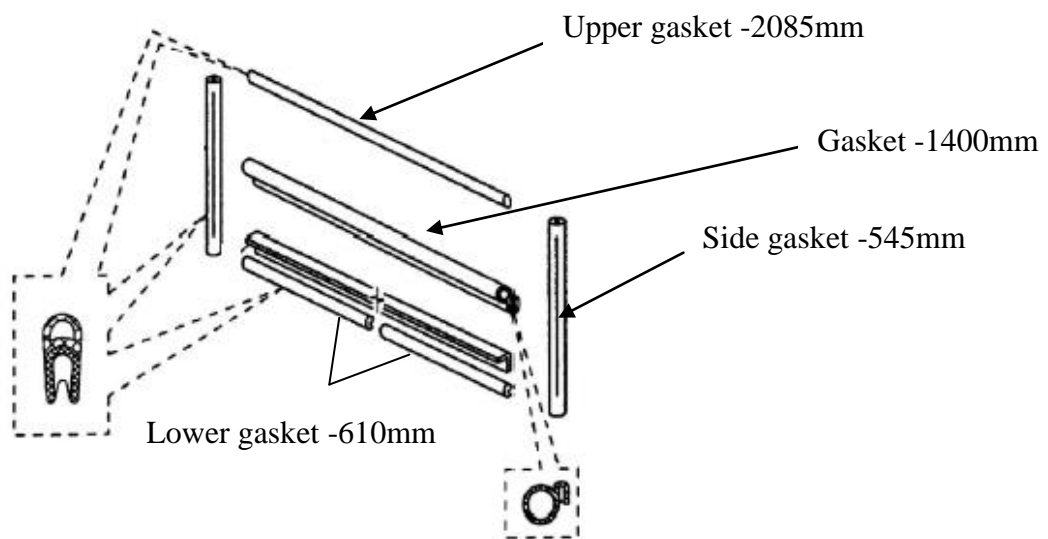
- i) Wind shield & fixed glass gaskets/sealing.



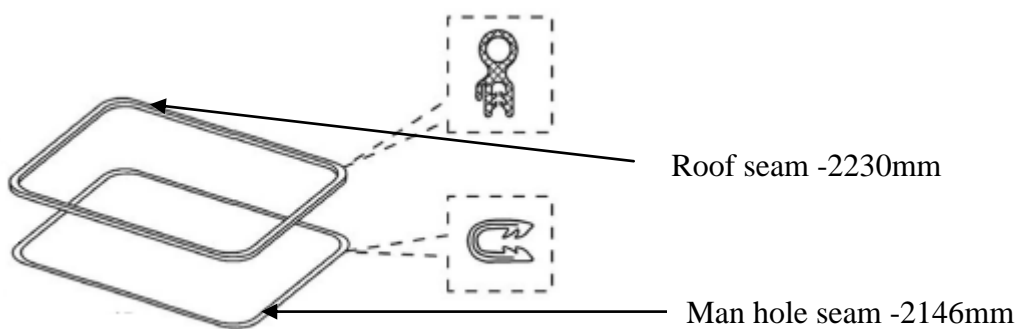
ii) Front cabin door gaskets



iii) Front bonnet seals/gaskets



iv) Man hole gasket



## 2. “Scope of work:

Based on the response from Interested Firms for this EOI, Separate RFQs will be floated to shortlist one capable firm for development of Cabin rubber item for BEML HDT vehicle.

NDA and MoU will be signed with the final firm evaluated in the RFQ. BEML will issue drawing & specifications to the firm.

- A. The Cabin and engine tunnel insulation development and Production is planned in three phases
- 1) Development stage: 5 samples to be developed within 3 months of contract.
  - 2) Pilot Production stage: 10 samples to be produced based on feedback of prototypes within 3 months from prototype clearance.
  - 3) Bulk Production stage: More than 200 to 300 samples in the first year after pilot batch clearance by BEML/MoD.
- B. The brief scope of work is,
- a. The firm has to offer the finished component for inspection and clearance by BEML.
  - b. Supply the components to BEML along with quality records for having complied for materials, processes and dimensions.
  - c. Associate with BEML during integration, furnishing, internal trials and MoD performance evaluation trials.
- C. Firm has to give relevant test certificates.

## 3. Pre-Qualification Criteria:

Interested firms shall fulfill the following criteria while submitting the Eoi.

- i. Firm having more than 5 years of experience in design and development of such components
- ii. Firm with sound financial status – Consistently profit making for the past 3 years.
- iii. Firm should be certified for the latest Quality Management System.
- iv. EOI may be responded by individual firm or a consortium of firms represented by a lead member. In case of consortium, lead member shall respond to the EOI and will be responsible for the success of the program.

- v. The firm shall have the following basic and essential facilities to qualify to this EOI.
  - a) Latest CAD software & hardware for handling Design & Documentation
  - b) Capability to design and development of trims and panels.
  - c) Possess requisite testing facilities.

#### 4. Details of the firm to be provided with necessary supporting documents:

- i. Company Registration certificate indicating name of the firm, year of establishment, incorporation details, Members of the Board, URL of the firm's website.
- ii. Name of the contact person, address, Telephone, Fax & email
- iii. Number of years of experience in design and development of such components.
- iv. Copy of the Supply Orders to brief the past and similar ongoing projects, if any.
- v. Details of IT infrastructure and certificates of quality management system of the firm.
- vi. Financial performance documents (Audited Balance sheets and Profit & Loss statements etc.) with details of turnover for last three (3) years
- vii. Details of Contract(s) or order(s) terminated before completion, if any
- viii. Details of any premature termination of job/supply order/contract for Min of Defence, India or any other Government / Quasi Government organization in India.
- ix. Value of largest two projects executed in last 5 years
- x. Capability to furnish Bank guarantees.
- xi. Details of important customers

**Note:** The responses from Firms/OEMs that are black listed/restricted by Government of India or its Agencies will not be considered.

#### 5. Submission of EOI:

In this context, Eoi in sealed cover, Providing all details, documents and certificates shall be submitted by interested reputed firms, superscribing

**“Expression of Interest’ for development of Cabin rubber items”** on or before  
14:00 hours of 9.10.2019, to 9.11.2019

**DGM–Materials**

**BEML Ltd.,Palakkad Complex,**

**Kinfra Wise Park,**

**Menonpara Road,**

**Kanjikode**

**Palakkad-678 621**

**Kerala,**

**India.**

**Tel (Off): +91-0491-2565120**

**Email: pm@beml.co.in**

The last date for receipt of EOI at the above address will be as per the information published and will be opened on the same date at 1515 hrs.

~~~~\*~~~~