

M/s. BEML LIMITED,**BEML SOUDHA,****SAMPANGIRAMNAGAR,****BENGALURU - 560002**Invitation for Expression of Interest (EOI) for the Development of Axles .

Eoi Reference	Ref. No. BEML/DEF/AXLE/EOI/2022-23 dt 16.09.2022
Eoi closing date	Closing date: 15th October 2022, Time: 17:00 Hrs
Eoi response mail Id	bemleoi@beml.co.in
Contact for technical clarifications	Name: Mr. Sridhar. N – Sr.Manager email: pdd@beml.co.in Contact No.: 9633572732
PLEASE MENTION Eoi Reference in e mail subject	

'Expression of Interest' for the Development of Axles

1. Objective:

BEML Limited is a Defence PSU under the Ministry of Defence (MoD), Govt. of India. BEML Trucks are mainly used for General Service and special projects carrying super structures as per MOD requirement. As part of indigenous program, BEML has taken up the development and production of Axles. In this regard, BEML intends to identify reputed developer for the supply of fully finished tested Axle with test reports. Annual requirement of Axles is 800 nos. (approx)

2. About Axles:

➤ Axles are equipped with independent wheel suspension with swinging semi-axles. Front axles sprung by leaf springs and shock absorbers & Rear axles sprung by leaf springs.

➤ Axle Types:

- ✓ Front Axle I - Split Axle (Swing Half Axles, Steerable, Drive)
- ✓ Front Axle II - Split Axle (Swing Half Axles, Steerable, Drive)
- ✓ Rear Axle I - Split Axle (Swing Half Axles, Drive)
- ✓ Rear Axle II - Split Axle (Swing Half Axles, Drive)

➤ Brake Actuators: Spring Loaded, Pneumatically operated.

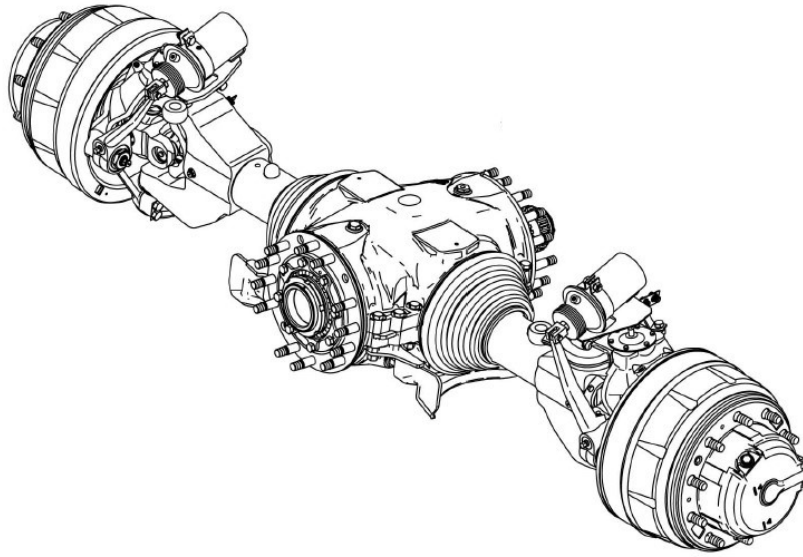
➤ Brake type: Drum Brake

Front axle suspension	Leaf Springs, shock absorbers.
Rear axles suspension	Leaf Springs

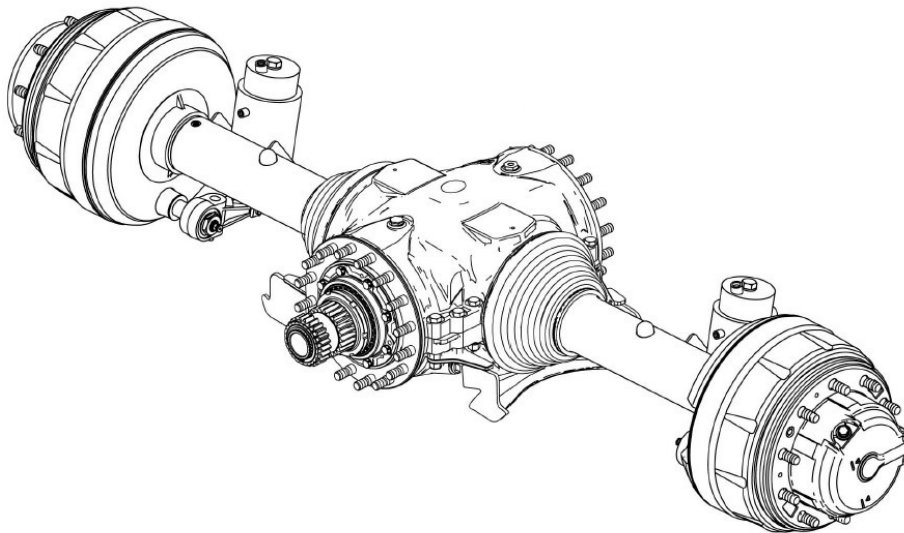
There are two types of Axles:

- 1) Front Axles (2 No's /Vehicle) -Steerable axles
- 2) Rear Axles (2 No's /Vehicle) – Non Steerable

Both axles consist of Half Axle (LH & RH type) which can sprung independently when placed in the Housing Assembly.



Steerable front Axles



Non- Steerable Rear Axles

3. Scope of work:

Based on the response from Interested Firms for this EOI, Separate RFQs will be floated to shortlist capable firm for the development.

NDA and MoU will be signed with the final firm evaluated in the RFQ. BEML will issue drawing & specifications to the firm.

A. The Development and Production is planned in three phases

- 1) Development stage: 1 Vehicle set of Axle (2 Front Axles i.e. FA1& FA2 and 2 Rear Axles i.e. RA1 & RA2) to be developed within 4 to 6 months of contract.
- 2) Pilot Production stage: 5 vehicle sets of Axles (10 Front Axles i.e. FA1& FA2 and 10 Rear Axles i.e. RA1 & RA2) to be produced based on the feedback of prototypes within 2 months from prototype clearance.
- 3) Bulk Production stage: 800 nos of Axles to be produced in the first year after pilot batch clearance by BEML/MoD.

B. INSPECTION AND TESTING:

- 1) All the raw material samples shall be tested in NABL Lab and reports submitted as per approved QAP.
- 2) Critical to Quality (CTQ) points during Axle assembly stage shall be witnessed and recorded as indicated in process sheet.
- 3) NDT of Weld joints shall be carried out as per drawing /process sheets and report submitted.
- 4) WPS / Procedure Qualification Record (PQR) shall be provided for the welding process specified in axle assembly.
- 5) Testing of Axles will be performed in test Rig for each axle as per ATP and all parameters recorded.
- 6) Process / Product audit will be carried out periodically by BEML/Authorized agency.
- 7) Final clearance of the axles will be accorded after inspection and testing by BEML and DGQA agency

4. Pre-Qualification Criteria:

Interested firms shall fulfill the following criteria while submitting the Eoi.

- i. Firm having more than 5 years of experience in design, development, and production of Axles preferably.
- ii. Firm with sound financial status – Consistently profit making for the past 3 years.
- iii. Firm should be certified for the latest Quality Management System.
- iv. EOI may be responded by individual firm or a consortium of firms represented by a lead member. In case of consortium, lead member shall respond to the EOI and will be responsible for the success of the program.
- v. The firm shall have the following basic and essential facilities to qualify to this EOI.
 - a) Latest CAD software & hardware for handling Design & Documentation
 - b) Minimum 2 ton capacity overhead crane facility
 - c) Certified welders to carry out critical welding joints.

5. Details of the firm to be provided with necessary supporting documents:

- i. Company Registration certificate indicating name of the firm, year of establishment, incorporation details, Members of the Board, URL of the firm's website.
- ii. Name of the contact person, address, Telephone, Fax & email
- iii. Preferably number of years of experience in design and development of Truck axles.
- iv. Copy of the Supply Orders to brief the past and similar ongoing projects, if any.
- v. Details of IT infrastructure and certificates of quality management system of the firm.
- vi. Financial performance documents (Audited Balance sheets and Profit & Loss statements etc.) with details of turnover for last three (3) years
- vii. Details of Contract(s) or order(s) terminated before completion, if any
- viii. Details of any premature termination of job/supply order/contract for Min of Defence, India or any other Government / Quasi Government organization in India.

- ix. Value of largest two projects executed in last 5 years
- x. Capability to furnish Bank guarantees.
- xi. Details of important customers

Note: The responses from Firms/OEMs that are black listed/restricted by Government of India or its Agencies will not be considered.

6. Submission of EOI:

In this context, EOI, Providing all details, documents and certificates shall be submitted by interested reputed firms to e mail bemleoi@beml.co.in , mentioning in subject “**Expression of Interest’ for development of Axles**” on or before **17:00 hours of 15.10.2022.**

EOI in soft copies to be sent to e-mail id: **bemleoi@beml.co.in**

Contact for technical clarifications

Name: Mr. Sridhar. N - Sr.Manager

email: pdd@beml.co.in

Contact No.: 9633572732

~~~~\*~~~~